



aquaGro  
FOR PLANTED AQUARIA

# Biome

GB Instructions



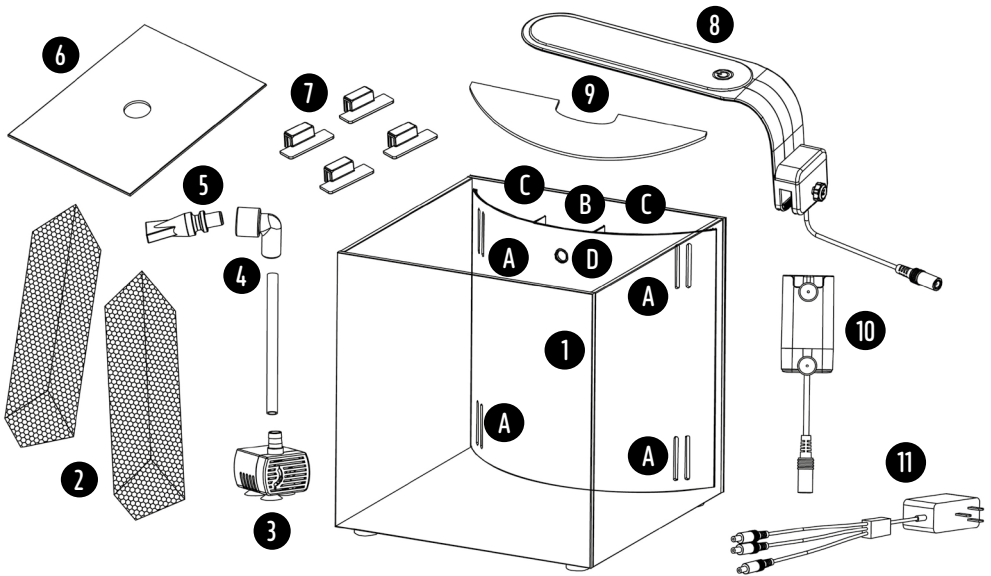
## **INDEX**

Specifications	page 3
Parts List	page 3
<b>IMPORTANT SAFETY INFORMATION</b>	<b>page 4-5</b>
Assembly	page 6
LED Light	page 8
Heater	page 10
Operation	page 11
Livestock & tips	page 13
Plants for beginners	page 15

# SPECIFICATIONS

Code	3230	3231	3232
Model	AG Biome 8l	AG Biome 15l	AG Biome 27l
Volume	8 litre	15 litre	27 litre
PSU Voltage	220-240V 50/60Hz		
Voltage	10V	10V	20V
LED light power	3W	5W	5W
Pump Max. power	3W	3W	8W
Pump flow rate	210 l/h	210 l/h	270 l/h
Heater Max. Power	10W	15W	32W
Dimensions	20cm x 20cm x20cm	25cm x 25cm x25cm	30cm x 30cm x30cm

## PARTS LIST



① Filter partition

② Filter sponges

③ DC Pump

④ Hose & fittings

⑤ Water outlet

⑥ Condensation lid

⑦ Condensation lid clips

⑧ DC LED light

⑨ Filter partition lid

⑩ DC Heater

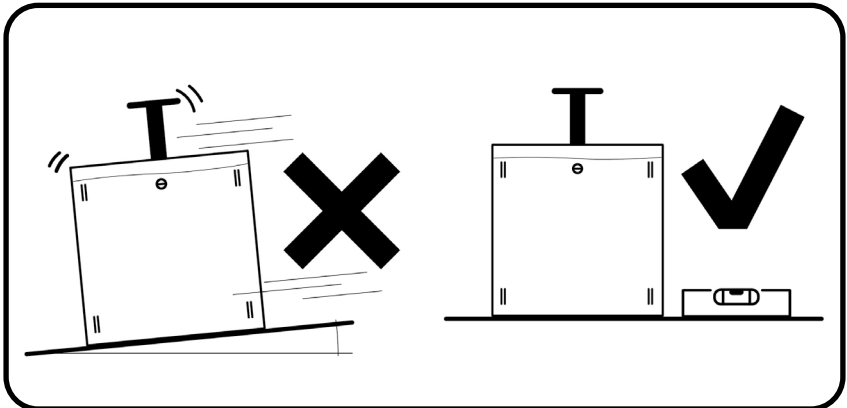
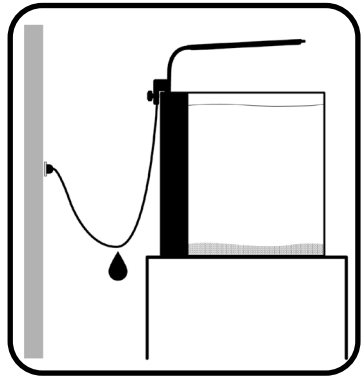
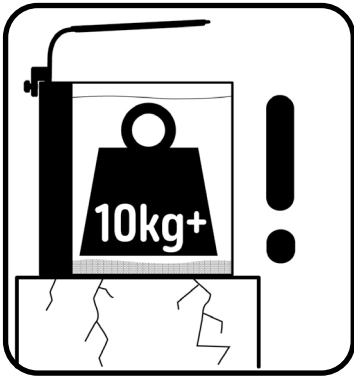
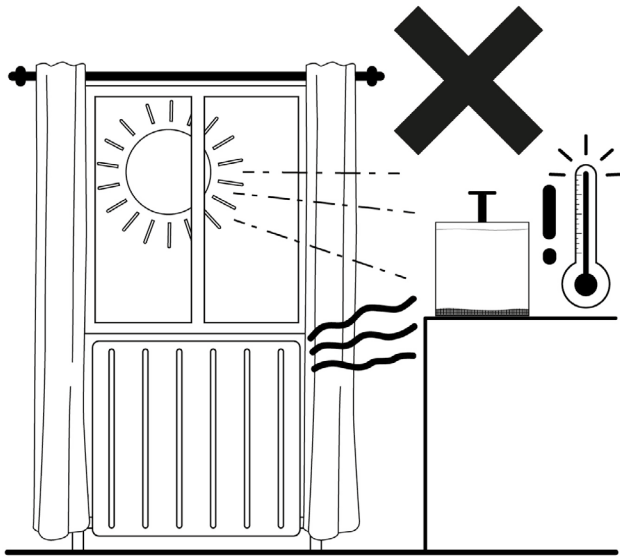
⑪ PSU

Ⓐ Water Inlets

Ⓑ Rear pump chamber

Ⓒ Rear filtration chambers

Ⓓ Water outlet



# IMPORTANT SAFETY INFORMATION

Please Read Carefully

**CAUTION:** Always isolate all electrical appliances from the mains electricity before installing or carrying out any maintenance to the Biome tank.

**CAUTION:** Power to the water circulation pump, heater and LED must be supplied through a Residual Current Device (RCD - not supplied) with a rated residual operating current not exceeding 30mA.

**CAUTION:** Thoroughly rinse the aquarium and filter media, using fresh water and a damp cloth. Never use soap on any component placed in your aquarium as soap is harmful to livestock.

- Do not run the water circulation pump dry.
- To ensure the water circulation pump continues to maintain a steady water flow, it must be cleaned regularly to ensure it does not become clogged with debris or detritus.
- PSU rating: 220-240V, 50Hz unless marked otherwise.

**CAUTION:** Do not operate any appliance if it has a damaged cord or plug, if it is malfunctioning, or if it has been dropped or damaged in any way.

- This Biome is designed to be used indoors and is not suitable for any outdoor applications.
- Ensure the Biome is securely installed on a level surface, capable of supporting the weight of the tank, before operating.

**Please Note:** This tank must NOT be positioned in direct sunlight as this will lead to excessive algae growth, or in a location exposed to low temperatures or increased heat levels i.e. NOT by a radiator.

- Ensure the LED light and the heater are securely installed before operating.

**CAUTION:** Always leave a drip-loop in the water circulation pump, heater and LED light cables to prevent water running down the cables and reaching the power source.

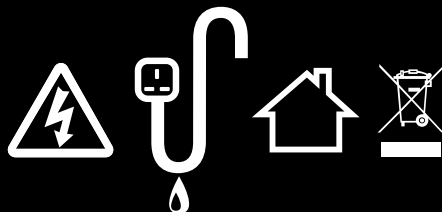
**CAUTION:** Always isolate the LED light power supply unit (PSU), the water circulation pump and the heater from the mains electricity before installing or carrying out any maintenance to the tank.

**CAUTION: DO NOT SUBMERGE THE LED LIGHTING SYSTEM.** If the light falls into the Biome tank by accident, immediately isolate the LED lighting system from the mains electricity before removing.

- Do not cover the LED lighting system in any way and always ensure good air circulation around it.
- Operation of the LED lighting system in a confined or unventilated space, or where there is an additional heat source could cause operating problems and a reduction in the usable life of the unit.
- The heater must remain fully submerged at all times. Failure to do so will damage the heater and result in over-heating of the aquarium water and loss of livestock. If removing the heater from the Biome tank isolate it from the power supply and wait approximately 15-20 minutes for it to cool, before removing it.
- This appliance is not intended for use by persons [including children] with reduced physical, sensory or mental capabilities, or lack of experience and knowledge, unless they have been given supervision or instruction concerning use of the appliance by a person responsible for their safety.

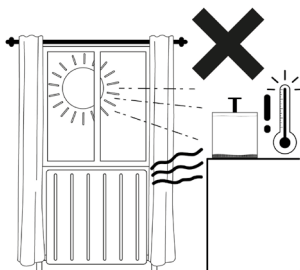
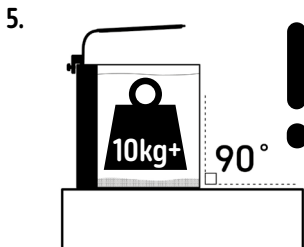
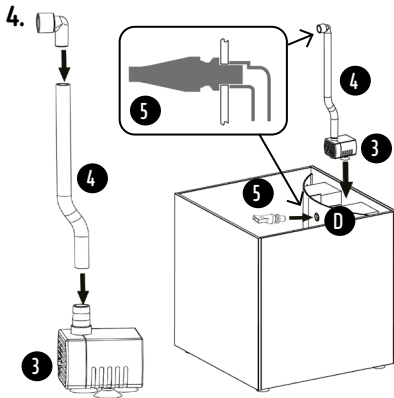
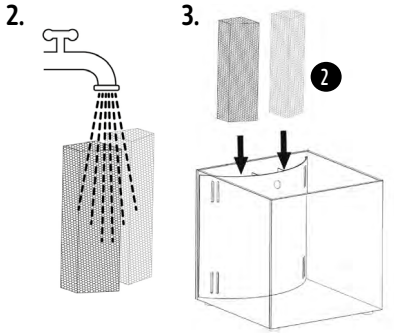
**DISPOSE OF THIS UNIT RESPONSIBLY.**

Check with your local authority for disposal information.



## ASSEMBLY

The Biome is supplied almost fully assembled. After unpacking and before installation you must:



1. Remove all accessories from the Biome.
2. Remove filter sponges [2] from the rear filtration chamber and thoroughly rinse both them and the Biome with warm tap water.
3. Return filter sponges [2] to the rear filtration chamber [C] ensuring that they are positioned correctly.
4. Ensure that the water circulation pump [3], water outlet tubing [4] and water outlet directional 'duck-bill' nozzle [5] are connected and correctly positioned in the water outlet [D].
5. Position the Biome on a level surface which is capable of supporting the weight of the tank and in a location which is not exposed to direct sunlight.

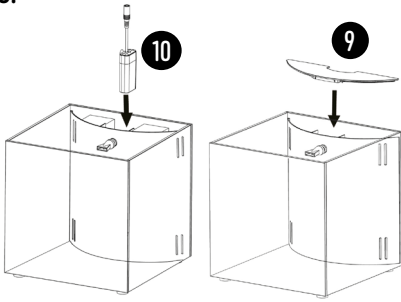
**PLEASE NOTE: When full of water the Biome will weigh 10kg+ depending on the model.**

**CAUTION: Direct sunlight on the Biome will lead to excessive algae growth and could result in the tank overheating.**

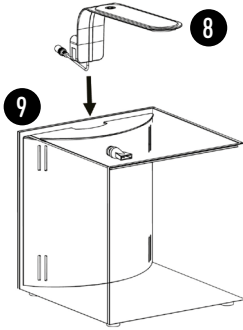
6. Carefully pour your selected aquarium substrate into the Biome ensuring that it evenly covers the bottom of the tank. AquaGro NutraSoil is recommended [see your local stockist for details].
7. If you are planning to add aquarium decorations e.g. aquarium stones or bogwood, position these as required.

**PLEASE NOTE: Ensure all aquarium decorations are thoroughly rinsed before introducing to the Biome and decorations such as bogwood have been pre-soaked and correctly prepared.**

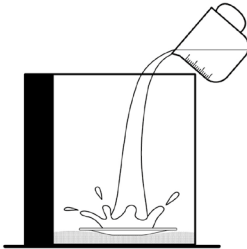
8.



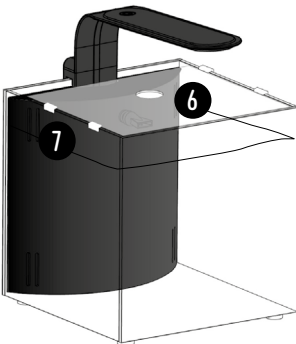
9.



10.



12.



8. Install and secure the heater (10) in the rear pump chamber (B) and place the lid on (9).

9. Position the LED lighting system (8) in a central location on the back wall of the rear filtration chamber and carefully tighten the securing screw.

10. Treat the aquarium water with a suitable water conditioner to neutralise chlorine and heavy metals in your tap water.

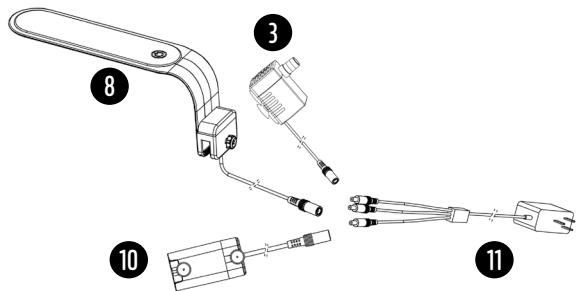
11. Place a flat plate or similar item on top of the substrate and carefully pour water which is at room temperature (approximately 20°C) directly on top of the plate (this minimises displacement of the substrate). Fill the tank up to the level indicated, then carefully remove the plate.

**PLEASE NOTE: Due to evaporation, the water level in the Biome will drop over time. Ensure that the water level in the tank and filtration chambers is closely monitored and is regularly topped up to the indicated level.**

12. Attach and secure the Biome condensation lid (6) to the tank using the securing clips supplied (7).

13. Connect all components to the PSU (11) and read the following individual equipment instructions before powering on.

13.



# LED LIGHT

## Changing lighting mode

The LED light is set to Mode 1 as default once switched on after connecting it to the power for the first time.

To change lighting mode:

- Touch the button on top of the LED light [see image].
- The light mode will change with each touch of the button in a cycle 1-2-3-4-5-6-7-power off (repeat).
- Choose from:

**Mode 1**    **Colourplus Daylight\***

Mode 2    Colourplus Cool

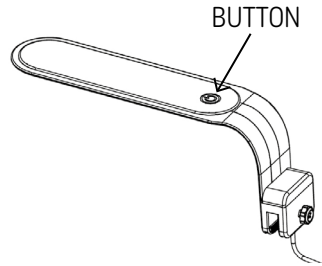
Mode 3    Colourplus Warm

**Mode 4**    **Colourplus Pink\***

Mode 5    Cool White

Mode 6    Natural Moonlight

Mode 7    Blue Moonlight



*\*Best for plant growth*

To memorise and set a new lighting mode as your default mode:

- Select your preferred lighting mode
- Press the button and hold for 2 seconds

Once the LED is switched off and back on again, your selected lighting mode will be the new default mode.

**NOTE:** In the event of a **power cut** the LED light will reset itself to Mode 1 / Factory default setting

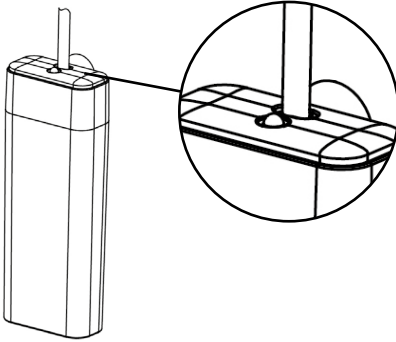


## HEATER

**IMPORTANT:** The heater must remain fully submerged at all times. Failure to do so will damage the heater and result in over-heating of the aquarium water and loss of livestock. If removing the heater from the Biome tank isolate it from the power supply and wait approximately 15-20 minutes for it to cool, before removing it.

### Operation

The heater is pre-set to a temperature of 25°C / 77°F.



**RED LED:** Indicates when the heater is heating.

**GREEN LED:** Indicates the pre-set temperature of 25°C / 77°F has been reached.

### Maintenance & cleaning instructions

**CAUTION:** Always isolate the heater from the mains electricity before installing or carrying out any maintenance to the heater or aquarium.

**CAUTION:** The heater should not be operated outside the aquarium or sump. Do not plug the heater in unless it is submerged in water.

**CAUTION:** If removing the heater from the aquarium or sump, isolate it from the power supply and wait approximately 15-20 minutes for it to cool, before removing it. To clean the heater, warm water and a soft sponge should be used.

DO NOT use any cleaning agents. Regularly inspect the heating element to ensure that there is no build up of detritus, calcium or limescale deposits.

**USEFUL TIP:** In the event of calcium or limescale deposits on the heating element, simply prepare a bucket of water [2.5 litres], adding 25ml of lemon juice and immerse the heater, switch it on and leave [e.g. 34°C] for 12 hours. The citric acid in the lemon juice should remove any calcium or limescale deposits. Repeat as necessary.

## OPERATION

1. Once the Biome, the rear filtration chamber [C] and the rear pump chamber [B] are full of water, plug in and switch on the power.
2. When the water circulation pump [3] is on, water will be drawn into the rear filter chamber [C] via the water inlets [A] and will pass through the filter sponges and will return back into the tank via the water outlet and the directional 'duck bill' nozzle [5].
3. Switch on the LED aquarium lighting system.

**CAUTION: If you plan to introduce livestock to this Biome such as miniature freshwater shrimps or crabs, please ensure you thoroughly research the habitat requirements of the livestock i.e minimum tank size, the required temperature and water parameters, before introducing them into this tank. If in any doubt check with your local aquatic retailer.**

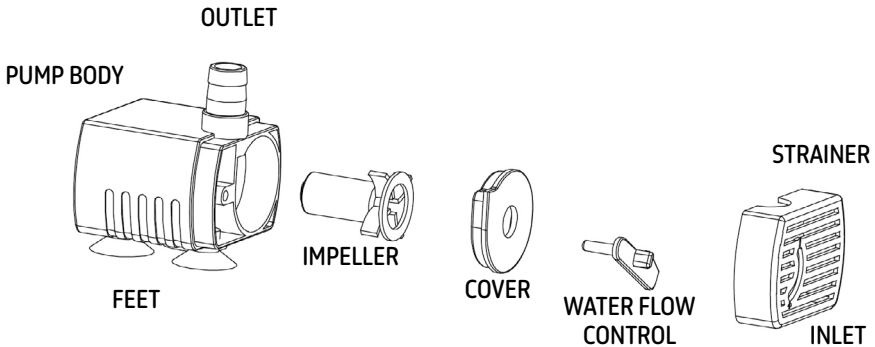
**USEFUL TIP:** Once the Biome is up and running we recommend that aquarium plants are introduced as soon as possible so that they can become established and help reduce the chance of excessive algae growth within the tank.

## MAINTENANCE

**CAUTION:** To avoid possible electric shock, special care should be taken when using electrical appliances near water.

**CAUTION:** Always isolate all components from mains electricity before installing or carrying out any maintenance to the Biome.

- 1. IMPORTANT:** To operate efficiently, the water circulation pump [3] and heater [10] must be operated 24 hours a day.
- 2. IMPORTANT:** For optimum results we recommend that the LED lighting system [8] is operated at least 10 hours per day.
3. Regularly check to make sure all connections are tightly secured.
4. Clean and periodically replace filter sponges [2].
5. Clean the water circulation pump [3] regularly to ensure it does not become clogged with debris or detritus.



6. Ensure that the water inlet [A], water outlet hose [4] and water outlet directional 'duck-bill' nozzle [5] are clean and free of blockages.

**CAUTION:** Failure to do so could result in operating problems.

7. Regularly clean the inside of the Biome.
8. Regularly clean the outside of the Biome using a damp soft cotton cloth.
9. Regularly clean the condensation lid to ensure optimum penetration of the light into the tank.



## LIVESTOCK & TIPS

1. Regular water changes of up to 25% are highly recommended, initially on a weekly basis and subsequently depending on water quality.
2. All livestock must be carefully acclimated before being introduced into the tank.
3. Introduce all livestock very slowly over a number of weeks. Smaller tanks are more sensitive to changes in water parameters and therefore it is not advisable to introduce more than one animal at a time. Ensure you allow each animal to settle in fully, and water parameters are correct, before introducing another.
4. Consider the ultimate size and placement of each species chosen.

**CAUTION: DO NOT OVERSTOCK THE TANK.** Small tanks inherently support far fewer animals than larger size aquariums and high quantities of livestock in a Biome tank is strongly discouraged. Consult your local retailer for stocking advice.

### Suitable species for the Biome tank

This list is not comprehensive. For more advice on suitable species and care, please consult your local retailer.

#### Biome 8 Litre

##### Invertebrates

Neocaridina shrimps [Red Cherry, Blue Dream, Yellow, Sakura...]

Caridina shrimps [Crystal Red, Crystal Black, Amano shrimp, Blue Bolt, Tigers...]

Orange Dwarf Crayfish

Snails [Staghorn snail, Neritina, Vittina, Ramshorn]

#### Biome 15 Litre

##### Fish

Celestial Danios

Endler's livebearer

Betta fish **(1 only)**

Gold spotted dwarf danio - *Boraras merah*

Tetra Ruby - *Axelrodia riesei*

Tail stripe rasbora - *Boraras urophthalmoides*

Strawberry dwarf danio - *Boraras naevus*

Dwarf danio - *Boraras maculatus*

Tucano tetra - *Tucanoichthys tucano*

Neon Blue Rasbora - *Sundadanio axelrodi*

Mosquito rasbora - *Boraras brigittae*

## Biome 15 Litre

### Invertebrates

Neocaridina shrimps (Red Cherry, Blue Dream, Yellow, Sakura...)

Caridina shrimps (Crystal Red, Crystal Black, Amano shrimp, Blue Bolt, Tigers...)

Orange Dwarf Crayfish

Snails (Staghorn snail, Neritina, Vittina, Ramshorn)

## Biome 27 Litre

### Fish

Celestial Danios

Endler's livebearer

Fork-tailed blue-eye - *Pseudomugil furcatus*

Kubotai Rasbora, *Microdevario kubotai*

Green tetras, *Paracheirodon simulans*

Pygmy Corydoras

Otocinclus

Neon Blue Rasbora - *Sundadanio axelrodi*

Mosquito rasbora - *Boraras brigittae*

Lambchop Rasbora, *Rasbora espei*

Spotted blue eye - *Pseudomugil gertrudae*

Ember Tetra

Betta fish **(1 only)**

### Invertebrates

Neocaridina shrimps (Red Cherry, Blue Dream, Yellow, Sakura...)

Caridina shrimps (Crystal Red, Crystal Black, Amano shrimp, Blue Bolt, Tigers...)

Orange Dwarf Crayfish

Snails (Staghorn snail, Neritina, Vittina, Ramshorn)

# PLANTS FOR BEGINNERS

## Epiphytes:

Anubias nana/mini/bonsai  
Amall Bucephalandras

## Ferns:

Bolbitis,  
Microsorium

## Mosses:

Christmas Moss  
Weeping Moss  
Pelia,  
Taiwan Moss,  
Phoenix Moss  
Spiky Moss  
Flame Moss

## Floating plants:

Red root floater  
Salvinia, Azolla

## Carpet plants:

Marsilea crenata,  
Marsilea hirsuta  
Montecarlo  
Mini hairgrass  
Lilaeopsis brasiliensis

## Stem plants:

Rotalas,  
Ludwigias  
Alternantheras  
Bacopas

## Rosette Plants:

Cryptocoryne albida 'Brown'  
Cryptocoryne Flamingo  
Cryptocoryne parva  
Cryptocoryne hobbit



[tropicalmarinecentre.com](http://tropicalmarinecentre.com)

[info@tropicalmarinecentre.co.uk](mailto:info@tropicalmarinecentre.co.uk)

**UK**

Solesbridge Lane  
Chorleywood  
Hertfordshire WD3 5SX  
England  
Call +44 **[0] 1923 284151**

**Europe**

Rua Cidade de Paris 6  
Parque Industrial do Arneiro  
2660-456 São Julião do Tojal  
Portugal  
Call +351 **219 739 140**

**UK  
CA**

**CE**

